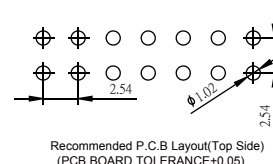
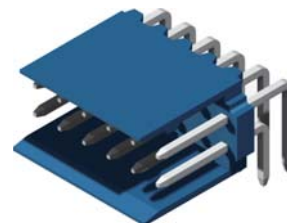
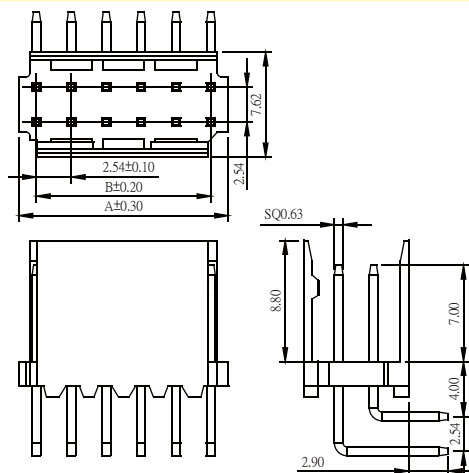


2.54mm Wafer Right Angle / Straight Type

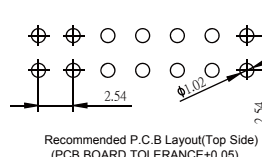
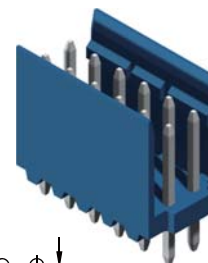
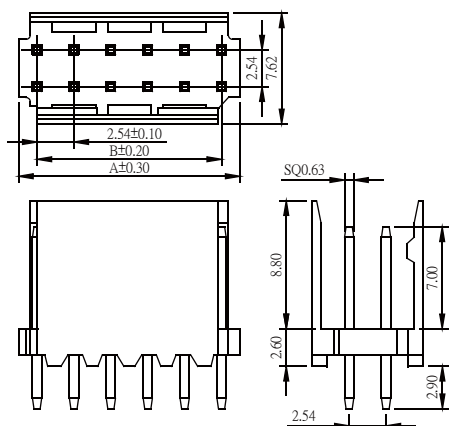
Specifications
 Current Rating: 3A AC,DC
 Voltage Rating: 250V AC,DC
 Temperature Range: -25°C to +85°C
 Contact Resistance: 20mΩ Max
 Insulation Resistance: 1000MΩ Min
 Withstanding Voltage: 1000V AC/minute
 Terminal: Brass / Gold or Tin Plated
 Material: Nylon 66,UL94V0

No. of Contacts	Dimensions	
	A	B
2x2	5.08	2.54
2x3	7.62	5.08
2x4	10.16	7.62
2x5	12.70	10.16
2x6	15.24	12.70
2x7	17.78	15.24
2x8	20.32	17.78
2x9	22.86	20.32
2x10	25.40	22.86
2x11	27.94	25.40
2x12	30.48	27.94
2x13	33.02	30.48
2x14	35.56	33.02
2x15	38.10	35.56
2x16	40.64	38.10
2x17	43.18	40.64
2x18	45.72	43.18
2x19	48.26	45.72
2x20	50.80	48.26



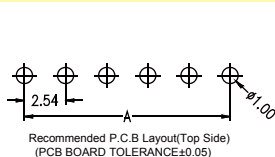
Recommended P.C.B Layout (Top Side)
 (PCB BOARD TOLERANCE±0.05)

Part No.:2217R-2XXTU-L

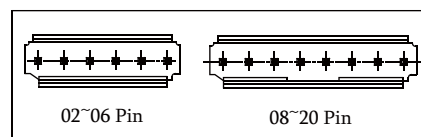
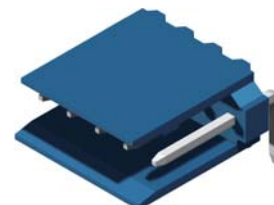
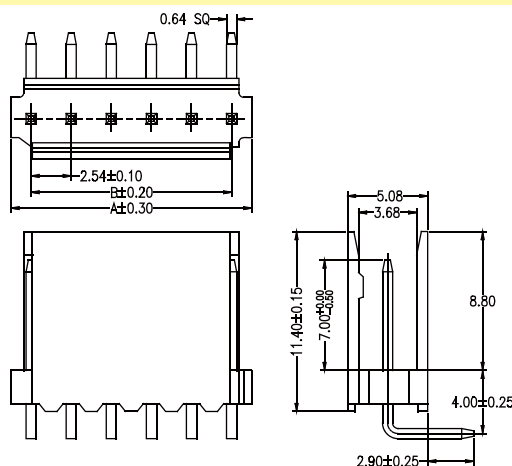


Recommended P.C.B Layout (Top Side)
 (PCB BOARD TOLERANCE±0.05)

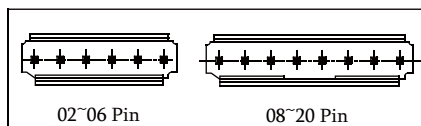
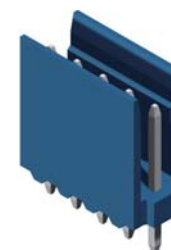
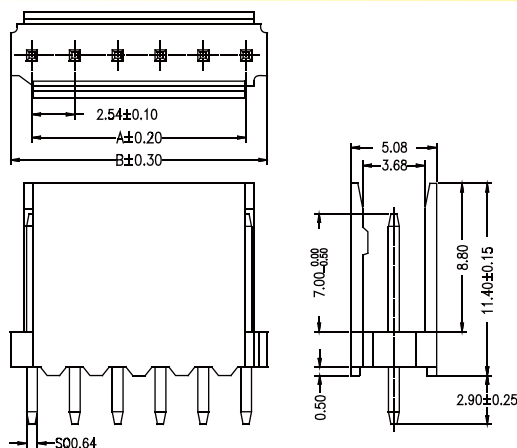
Part No.:2217S-2XXTU-L



No. of Contacts	Dimensions	
	A	B
2	5.08	2.54
3	7.62	5.08
4	10.16	7.62
5	12.70	10.16
6	15.24	12.70
7	17.78	15.24
8	20.32	17.78
10	25.40	22.86
12	30.48	27.94
13	33.02	30.48
15	38.10	35.56
17	43.18	40.64
18	45.72	43.18
20	50.80	48.26



Part No.:2217R-1XXTU-L



Part No.:2217S-1XXTU-L